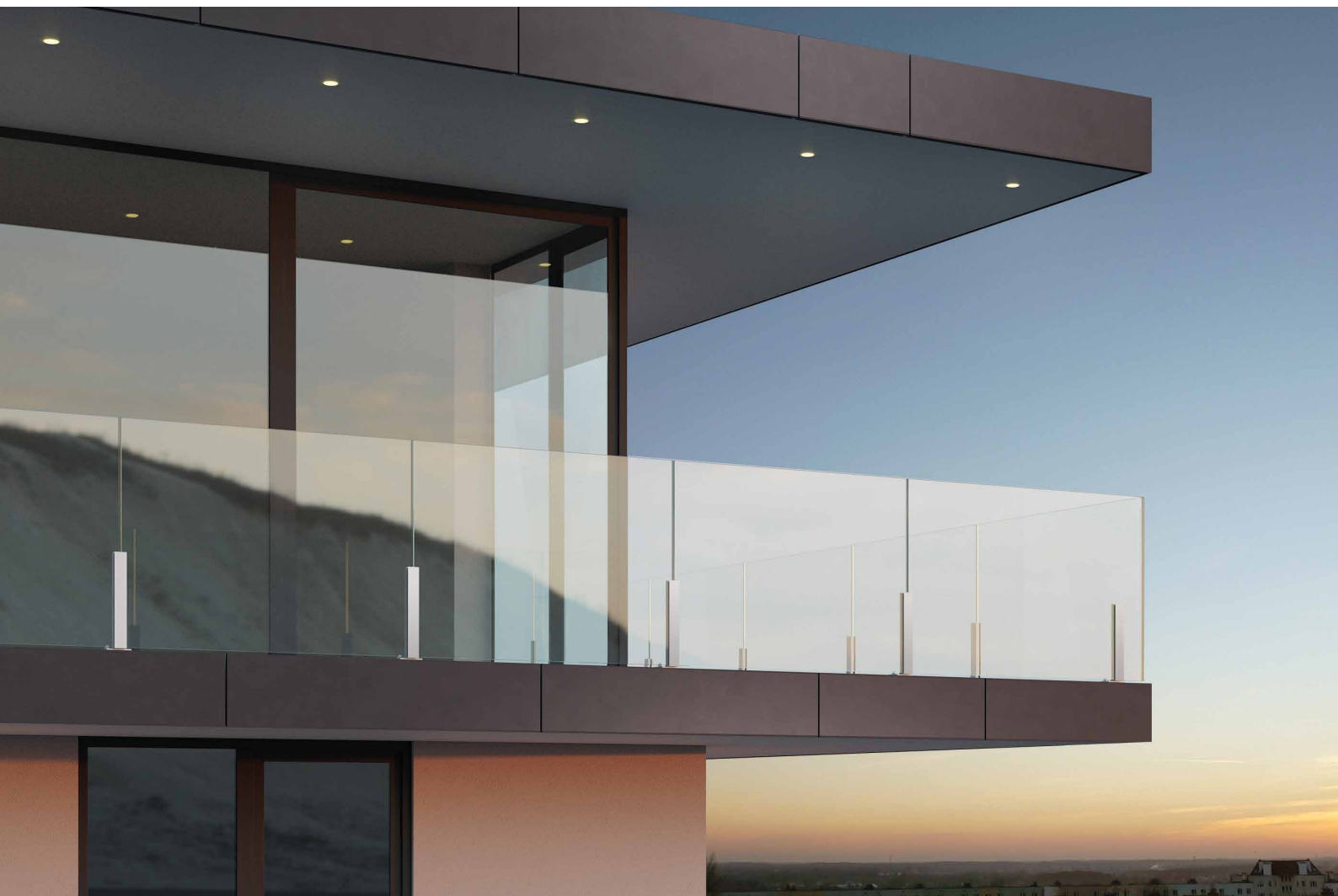


GLASIMO[®]

PROJECTS

NEW ON THE MARKET



find us on



MINI-CATALOGUE
HYBRID BALUSTRADES

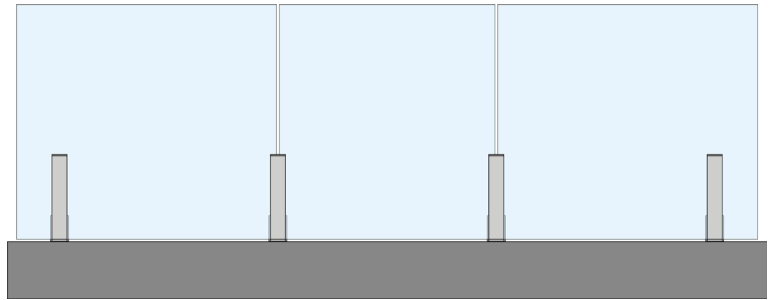
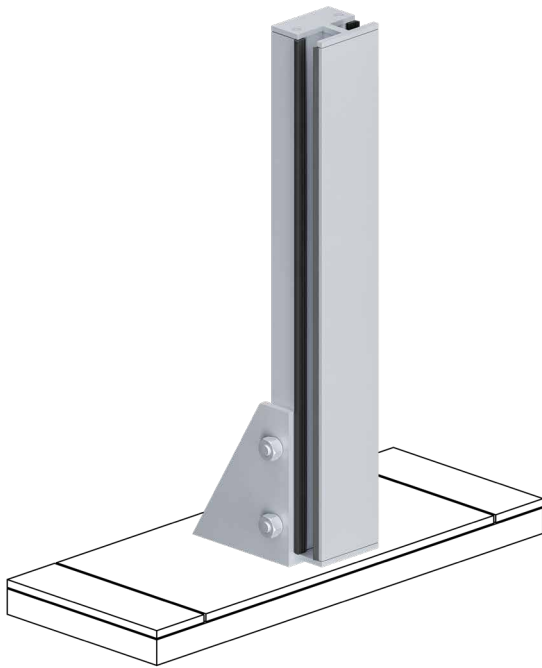
www.glasimo.eu

SHORT HYBRID POST

TOP MOUNTING

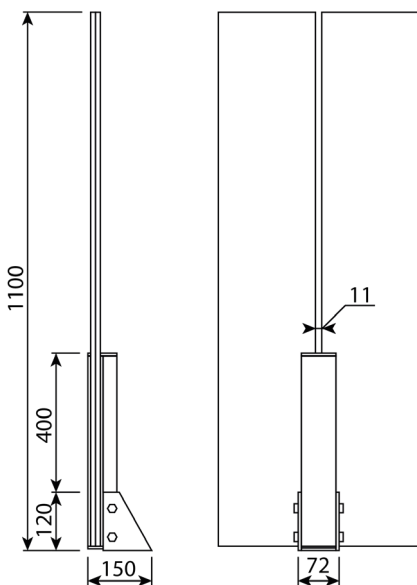
Minimalist design

The aluminium posts are suitable for both indoor and outdoor installation. This material has very good anti-corrosive properties, thus ensuring that the appearance of the balustrade remains aesthetically pleasing for many years.



	LOAD	GLASS THICKNESS	MAX. SPACING	WEIGHT 1 running metre	MATERIAL	SURFACE
	Up to 1 kN/m	12,76 mm 16,76 mm	1200 mm	Approx. 40-60 kg	Aluminium EN AW-6063	RAL color palette

TECHNICAL DRAWING



MOUNTING ACCESSORIES



C-bar



Handrail

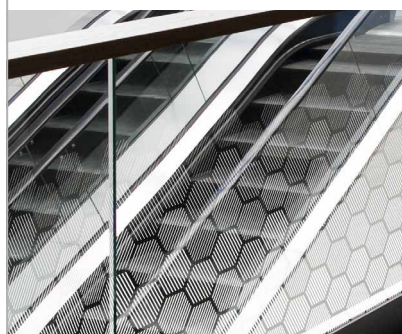


Anchors and gaskets

★ PREMIUM PRODUCTS ★

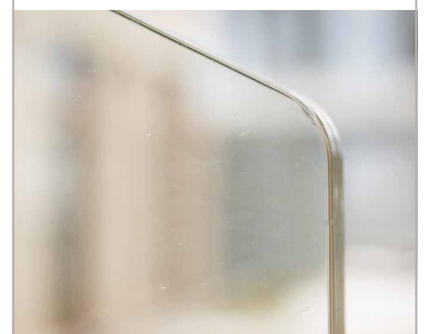
Digital Print

Printing on glass with ceramic paints



SentryGlas film

Safety and resistance of laminated glass

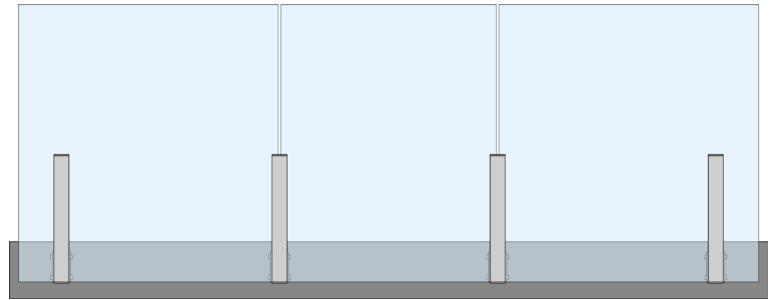
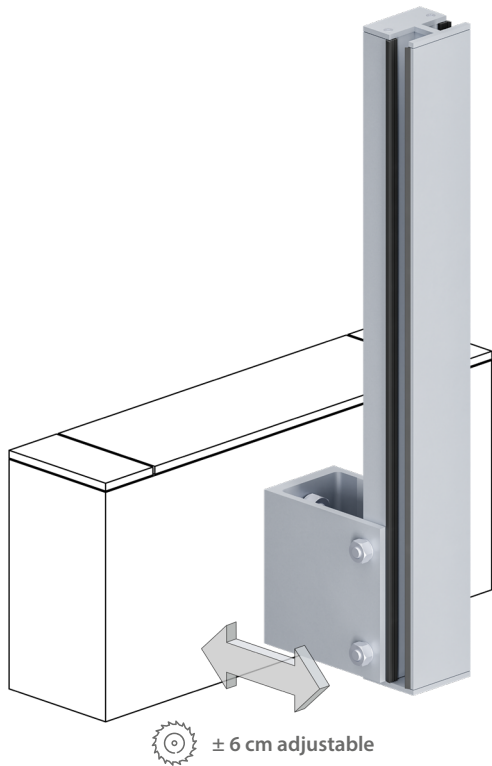


SHORT HYBRID POST

SIDE MOUNTING

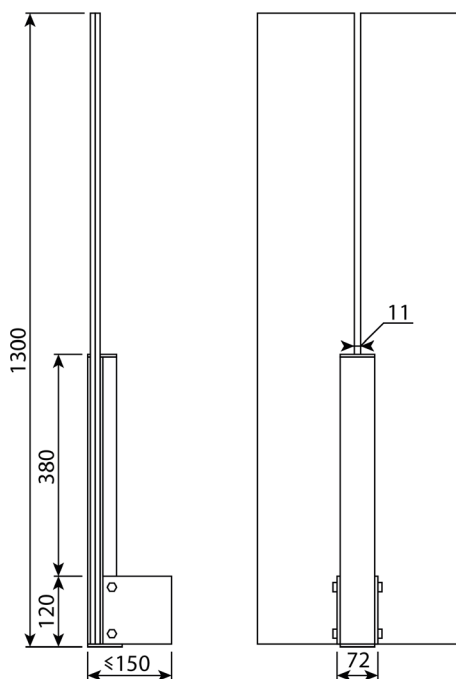
Even more balcony space

Innovative post balustrade system offering a variety of solutions thanks to the adjustable elements used. The system has been designed with ease and speed of installation in mind.



	LOAD	GLASS THICKNESS	MAX. SPACING	WEIGHT 1 running metre	MATERIAL	SURFACE
	Up to 1 kN/m	12,76 mm 16,76 mm	1200 mm	Approx. 50-70 kg	Aluminium EN AW-6063	RAL color palette

TECHNICAL DRAWING



MOUNTING ACCESSORIES



C-bar



Handrail



Anchors and gaskets

★ PREMIUM PRODUCTS ★

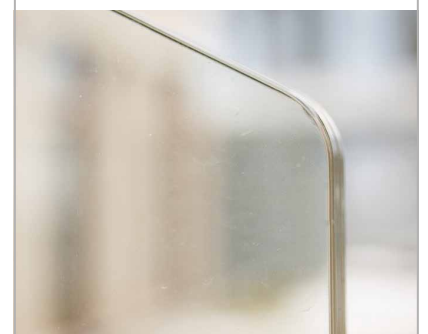
Digital Print

Printing on glass with ceramic paints



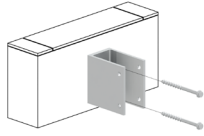
SentryGlas film

Safety and resistance of laminated glass



ASSEMBLY PRESENTATION

Side mounting



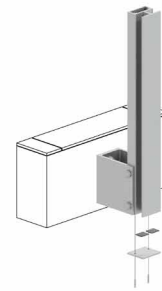
Step I

Fixing the steel plate to the balcony slab with suitable anchors.



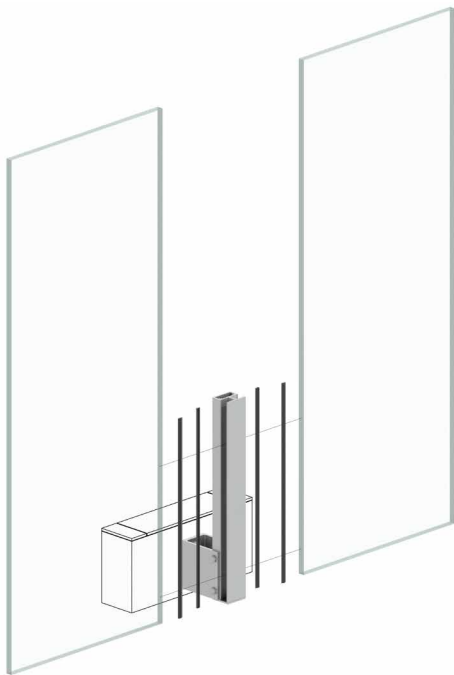
Step II

Mounting the post to the steel plate with screws.



Step III

Screwing on the bottom cap.



Step IV

Mounting the gasket and the glass sheets.



Step V

Mounting the top cap. The next step is to install the handrail on the glass.