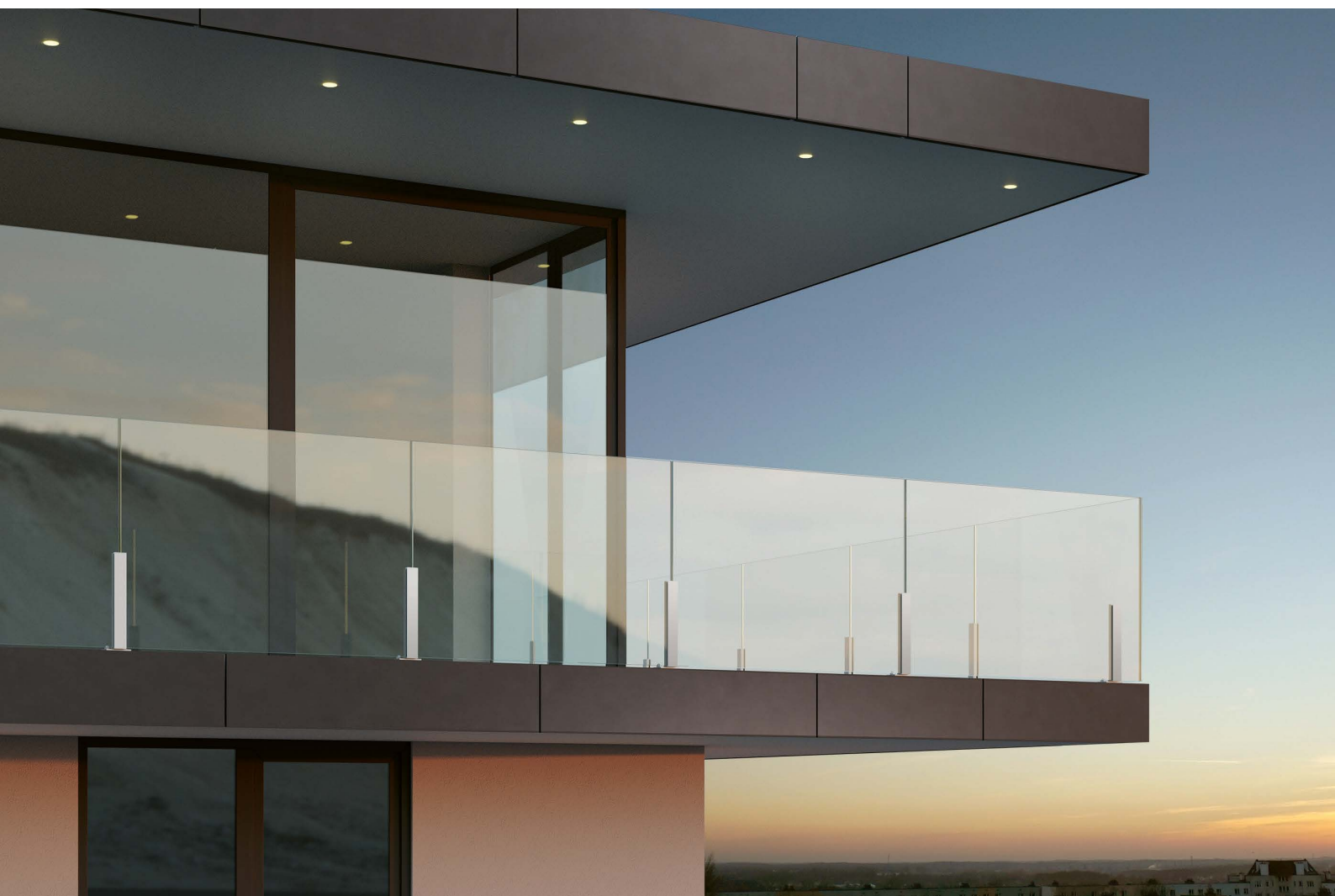


# GLASIMO<sup>®</sup>

glass interiors

NEW ON THE MARKET



find us on



MINI-CATALOGUE  
GLASS BALUSTRADE  
ON H-PROFILE POSTS

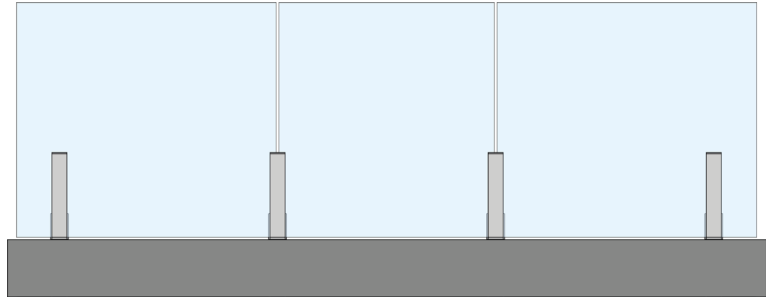
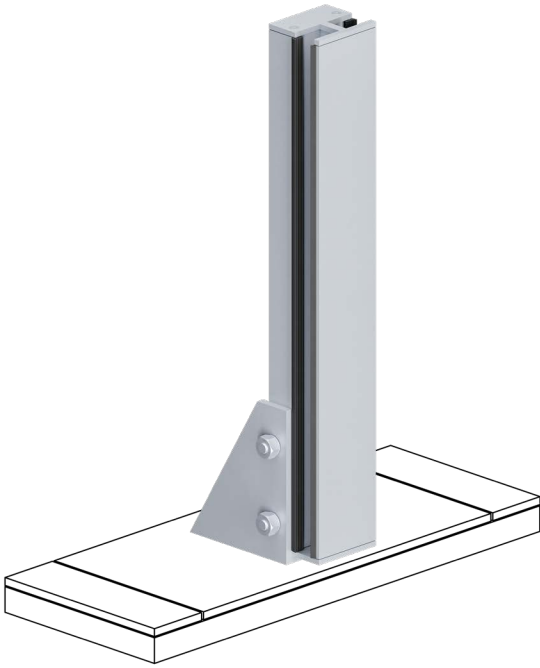
[www.glasimo.eu](http://www.glasimo.eu)

# H-PROFILE

## TOP MOUNTING

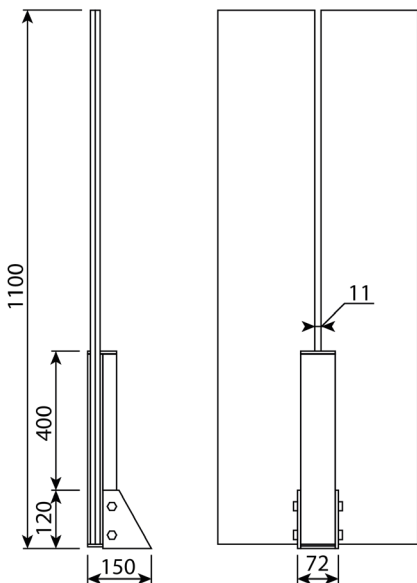
### Minimalist design

The aluminium posts are suitable for both indoor and outdoor installation. This material has very good anti-corrosive properties, thus ensuring that the appearance of the balustrade remains aesthetically pleasing for many years.

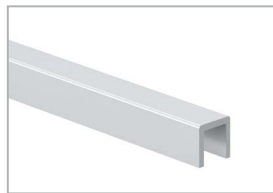


	LOAD	GLASS THICKNESS	MAX. SPACING	WEIGHT 1 running metre	MATERIAL	SURFACE
	Up to 1 kN/m	12.76 mm 16.76 mm	1200 mm	Approx. 40-60 kg	Aluminium EN AW-6063	RAL color palette

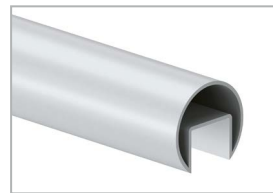
### TECHNICAL DRAWING



### MOUNTING ACCESSORIES



C-bar



Handrail



Anchors and gaskets

### ★ PREMIUM PRODUCTS ★

#### Digital Print

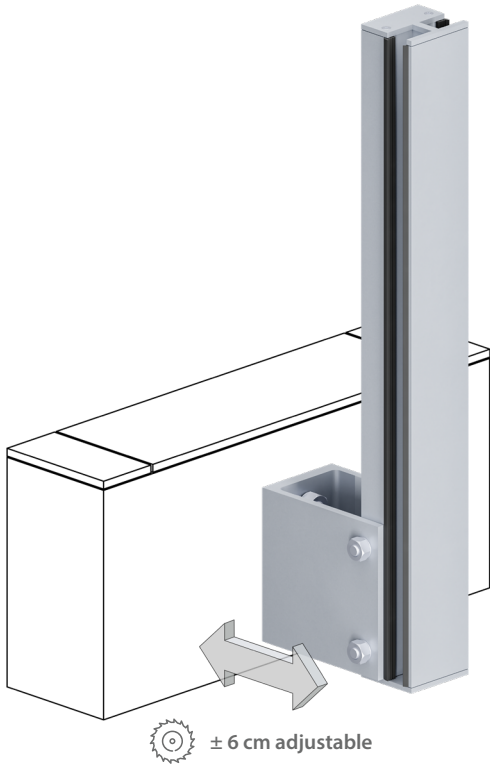
Printing on glass with ceramic paints



#### SentryGlas film

Safety and resistance of laminated glass



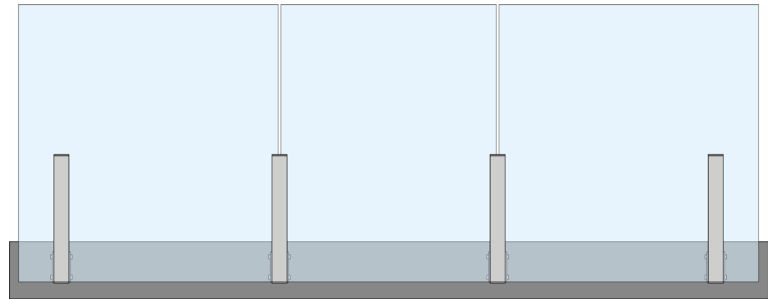


# H-PROFILE

## SIDE MOUNTING

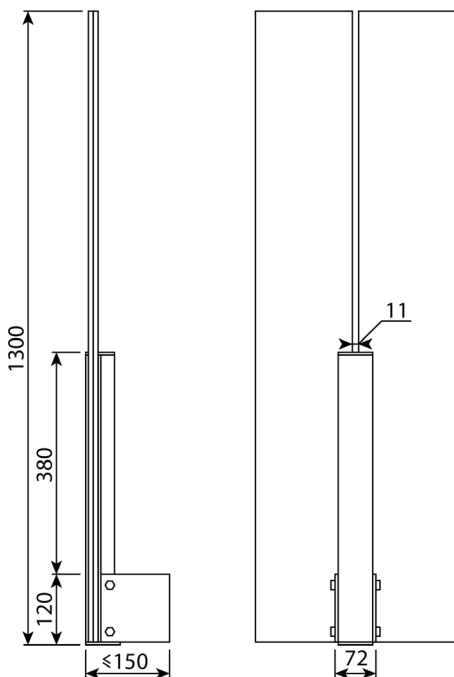
### Even more balcony space

Innovative post balustrade system offering a variety of solutions thanks to the adjustable elements used. The system has been designed with ease and speed of installation in mind.



	LOAD	GLASS THICKNESS	MAX. SPACING	WEIGHT 1 running metre	MATERIAL	SURFACE
	Up to 1 kN/m	12.76 mm 16.76 mm	1200 mm	Approx. 50-70 kg	Aluminium EN AW-6063	RAL color palette

### TECHNICAL DRAWING



### MOUNTING ACCESSORIES



C-bar



Handrail



Anchors and gaskets

★ PREMIUM PRODUCTS ★

### Digital Print

Printing on glass with ceramic paints



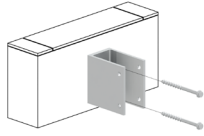
### SentryGlas film

Safety and resistance of laminated glass



# ASSEMBLY PRESENTATION

## Side mounting of the H Profile



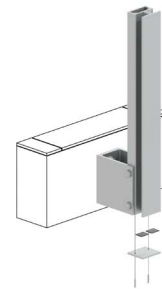
### Step I

Fixing the steel plate to the balcony slab with suitable anchors.



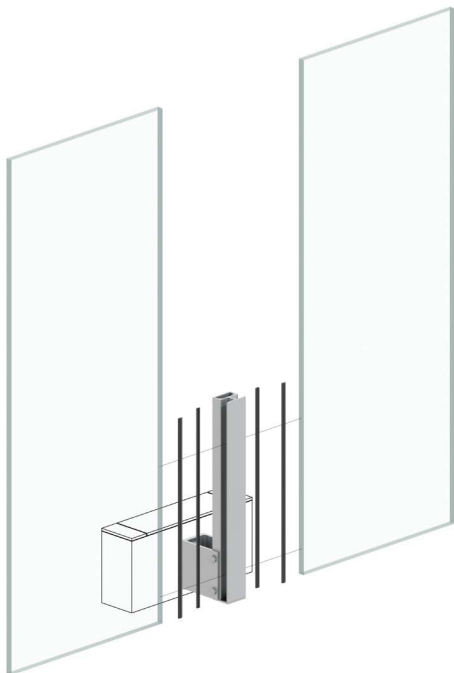
### Step II

Mounting the post to the steel plate with screws.



### Step III

Screwing on the bottom cap.



### Step IV

Mounting the gasket and the glass sheets.



### Step V

Mounting the top cap. The next step is to install the handrail on the glass.